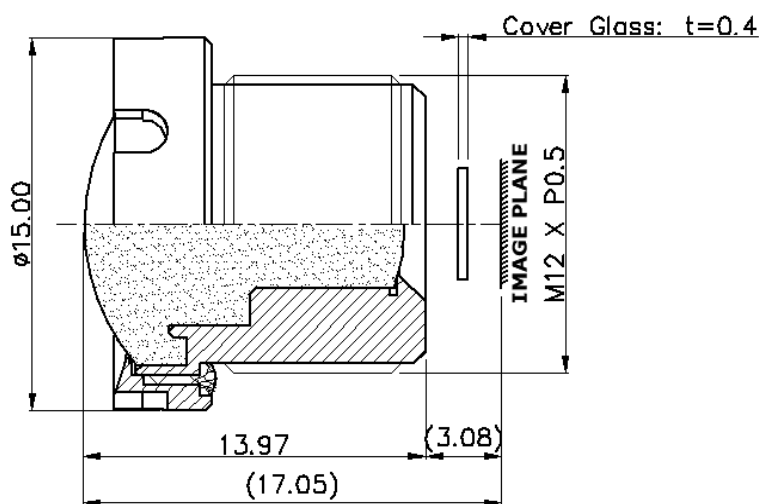
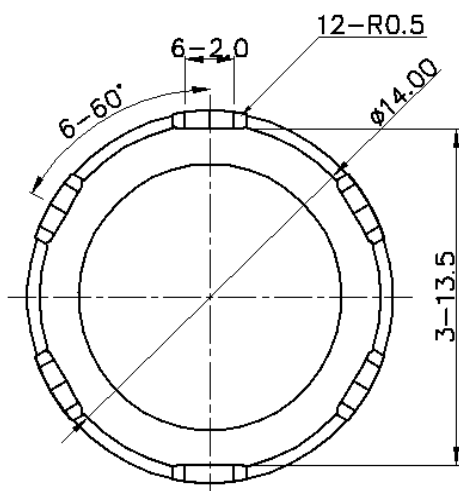




20624-5MAS

Application	Doorbell	
Focal Length	1.9mm	
Flange Back Length	3.08mm	
Back Focal Length	3.9mm	
Total Track Length	17.05mm	
F No.	2.0	
Iris	Fixed	
MAX Image Circle Diameter	Φ5.6	
Sensing Area	OS05A20(1/2.7")	
Optical Distortion	-62.9%	
TV Distortion	-17.1%	
Angle of View	Diagonal	150.0°
	Horizontal	144.4°
	Vertical	106.8°
Chief Ray Angle(1.0F)	19.4°	
Relative Illumination(1.0F)	79.7%	
M.O.D	410mm - ∞	
Resolution	On-Axis	69.4% @125lp/mm
	0.7 Field	(T)72.5%/(S)54.8% @125lp/mm
Wavelength	Visible & IR	
Filter	-	
Waterproof	-	



Tolerance : ±0.2