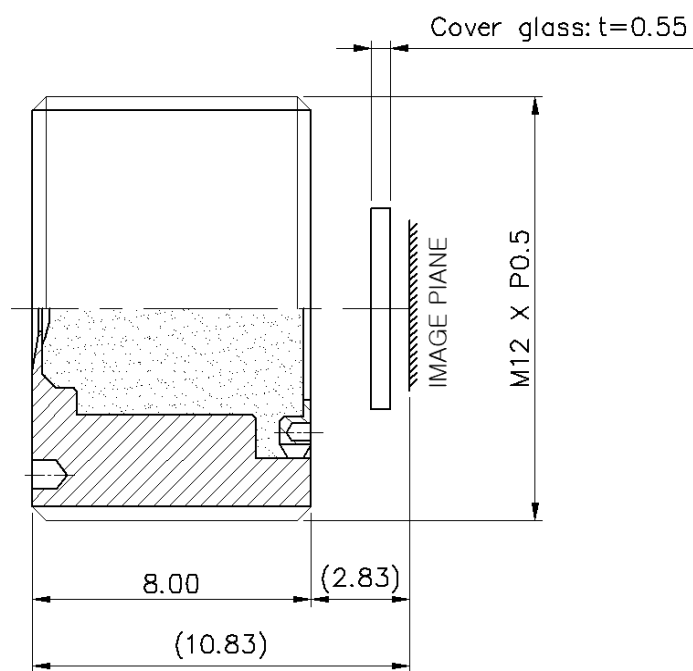




DW9802(B)CM

Application	CCTV	
Focal Length	3.7mm	
Flange Back Length	2.83mm	
Back Focal Length	4.0mm	
Total Track Length	10.83mm	
F No.	2.0	
Iris	Fixed	
Image Circle Diameter	Φ 6.0	
Sensing Area	1/3"(4:3)	1/4"(4:3)
Optical Distortion	-44.5%	-19.6%
TV Distortion	-16.4%	-6.7%
Angle of View	Diagonal	104.8°
	Horizontal	73.8°
	Vertical	52.2°
Chief Ray Angle(1.0F)	14.4°	11.0°
Relative Illumination(1.0F)	65.5%	99.9%
M.O.D	175cm - ∞	
Resolution	On-Axis	69.2% @33lp/mm
	0.7 Field	(S)40.0% / (T)63.5% @33lp/mm
Wavelength	Visible	
Filter	IR Cut Filter : 650nm Cut(T:50%)	
Waterproof	-	



Tolerance: ±0.4mm