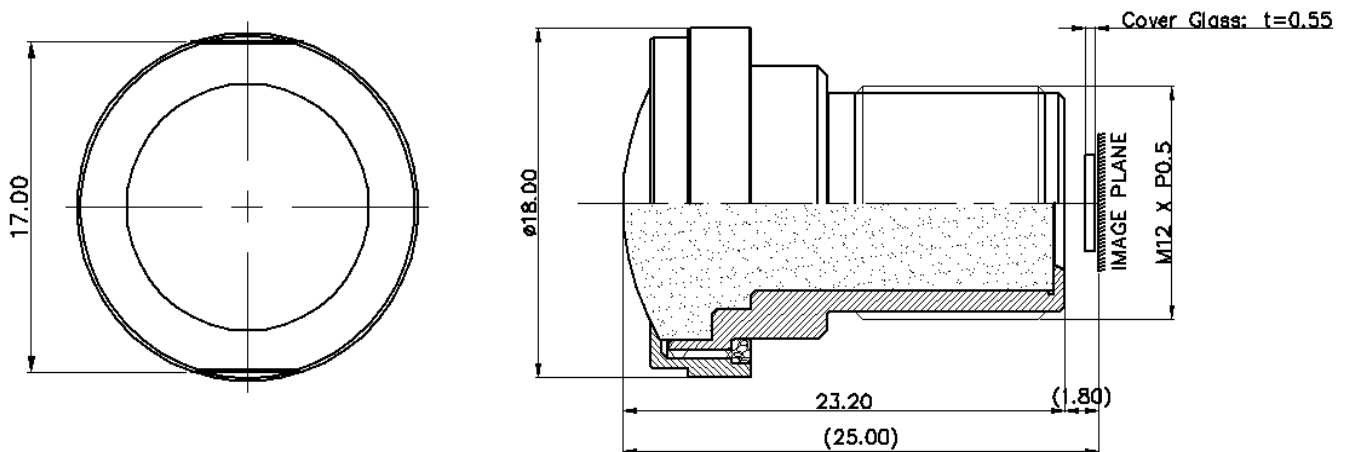




18610P-AS

Application	OMS	
Focal Length	1.85mm	
Flange Back Length	1.8mm	
Back Focal Length	3.9mm	
Total Track Length	25.0mm	
F No.	1.0	
Iris	Fixed	
Image Circle Diameter	1/4" MN34906BIS	
Sensing Area	Φ 4.48	
Optical Distortion	-53.0%	
TV Distortion	-17.7%	
Angle of View	Diagonal	137.5°
	Horizontal	110.0°
	Vertical	82.8°
Chief Ray Angle(1.0F)	1.26°	
Relative Illumination(1.0F)	90.5%	
M.O.D	41 cm - ∞	
Resolution	On-Axis	90.6% @45lp/mm
	0.7 Field	(S)81.2% / (T)85.4% @45lp/mm
Wavelength	IR (940nm)	
Filter	IR Band Pass filter : 940nm pass (T≥95%)	
Waterproof	-	



Tolerance : ±0.4mm