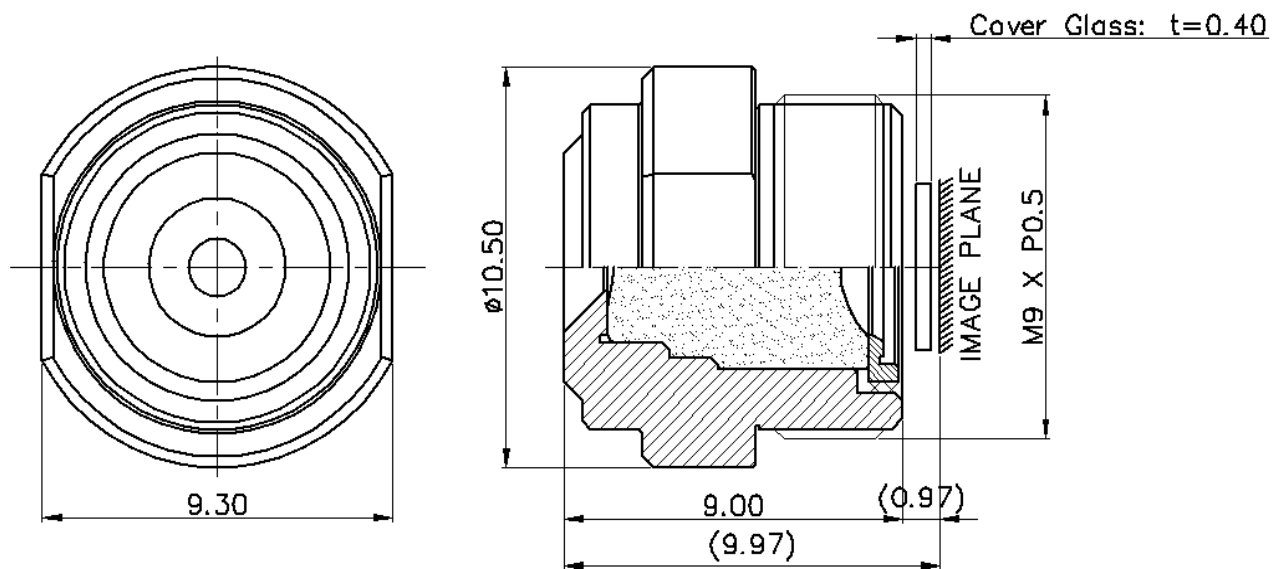




# 30520MAS

Application	DSM	
Focal Length	3.15mm	
Flange Back Length	0.97mm	
Back Focal Length	2.6mm	
Total Track Length	9.97mm	
F No.	2.0	
Iris	Fixed	
Image Circle Diameter	Φ 4.528	
Sensing Area	1/4" AR0144	
Optical Distortion	-9.6%	
TV Distortion	-5.0%	
Angle of View	Diagonal	76.9°
	Horizontal	66.1°
	Vertical	41.6°
Chief Ray Angle(1.0F)	24.7°	
Relative Illumination(1.0F)	43.9%	
M.O.D	142cm - ∞	
Resolution	On-Axis	70.7% @80lp/mm
	0.7 Field	(S)44.6% / (T)51.2% @80lp/mm
Wavelength	IR (940nm)	
Filter	IR Band Pass filter : 940nm pass (T≥95%)	
Waterproof	-	



Tolerance : ±0.4mm