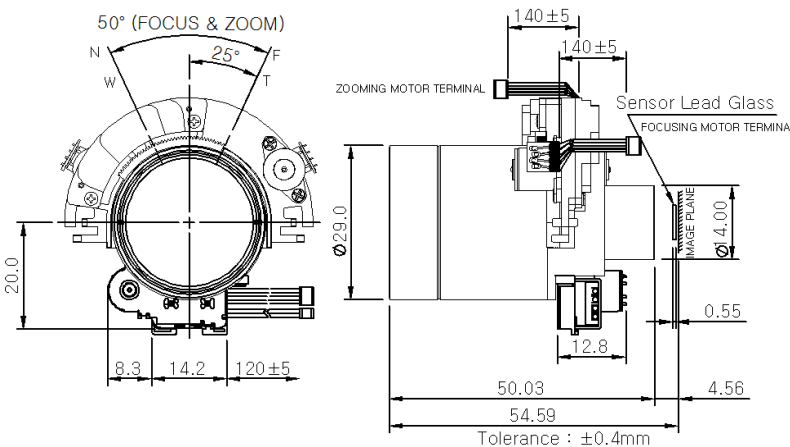




# 60500-3MASPDNZ-Φ14

Application		CCTV		
Focal Length		6.0mm ~ 50.0mm		
Back Focal Length		5.8mm ~ 5.9mm		
Total Track Length		54.4mm		
F No.		1.6 ~ 360		
Iris		Auto Iris		
Max Image Circle Diameter		Φ 6.61		
Sensing Area		1/2.7"(16:9)	1/3"(4:3)	1/4"(4:3)
Optical Distortion		-20.0% ~ 1.5%	-15.8% ~ 1.3%	-8.2% ~ 0.82%
TV Distortion		-7.9% ~ 0.5%	-5.3% ~ 0.4%	-2.7% ~ 0.25%
Angle of View	Diagonal	65.9° ~ 7.9°	58.5° ~ 7.2°	42.2° ~ 5.4°
	Horizontal	55.7° ~ 6.9°	45.3° ~ 5.7°	33.3° ~ 4.3°
	Vertical	30.0° ~ 3.9°	33.3° - 4.3°	24.7° ~ 3.3°
Chief Ray Angle(1.0F)		1.2°	1.4°	2.2°
Relative Illumination(1.0F)		0.312	0.487	0.862
M.O.D		370cm - ∞		
Resolution	On-Axis	66.4% @133lp/mm		
	0.7 Field	59.8% @100lp/mm		
Wavelength		Visible & IR		
Filter		-		
Waterproof		-		



ZOOMING MOTOR (4 PIN)

1 RED	COIL (21.0Ω)	3.0V ~ 5.0V	B
2 YELLOW	COIL (21.0Ω)	/- 30~+60°C	A
3 ORANGE	COIL (21.0Ω)	3.0V ~ 5.0V	B
4 BROWN	COIL (21.0Ω)	/- 30~+60°C	A

FOCUSING MOTOR (4 PIN)

1 WHITE	COIL (21.0Ω)	3.0V ~ 5.0V	B
2 BLACK	COIL (21.0Ω)	/- 30~+60°C	A
3 GREEN	COIL (21.0Ω)	3.0V ~ 5.0V	B
4 BLUE	COIL (21.0Ω)	/- 30~+60°C	A

P-IRIS MOTOR (4 PIN)

1 WHITE	CONTROL	2.6V ~ 3.8V	A
2 BLACK	COIL (28.5Ω)	/23°C	B
3 RED	DRIVE	2.6V ~ 3.8V	A
4 GREEN	COIL (28.5Ω)	/23°C	B

IR CUT FILTER MOTOR (2 PIN)

1 YELLOW	±	DRIVE	IR Cut Filter
2 BROWN	±	COIL (190Ω)	IN→OUT
			3.5V~5V
			OUT→IN
			-5V~-3.5V

FOCUSING AND ZOOMING P-IRIS MOTOR  
EXCITING PATTEN OF CLOCKWISE ROTATION

STEP	1	2	3	4
A	+	+	-	-
A̅	-	-	+	+
B	-	+	+	-
B̅	+	-	-	+