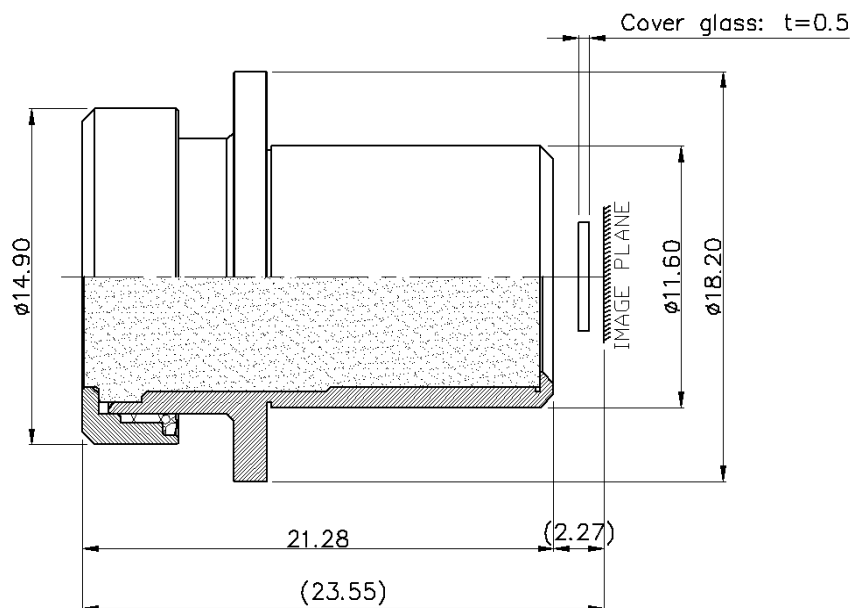




B47616BMC

Application	Automotive	
Focal Length	4.7mm	
Flange Back Length	2.27mm	
Back Focal Length	4.1mm	
Total Track Length	23.55mm	
F No.	1.6	
Iris	Fixed	
Image Circle Diameter	Φ8.2	
Sensing Area	1/4" AR0144AT(1280×800, 3.0μm)	
Optical Distortion	-10.9%	
TV Distortion	-4.0%	
Angle of View	Diagonal	56.8°
	Horizontal	47.7°
	Vertical	29.5°
Chief Ray Angle(1.0F)	9.6°	
Relative Illumination(1.0F)	87.1%	
M.O.D	440cm - ∞	
Resolution	On-Axis	74.5% @83lp/mm
	0.7 Field	(S)70.7% (T)63.7% @83lp/mm
Wavelength	Visible	
Filter	IR Cut Filter : 650nm Cut(T:50%)	
Waterproof	-	



Tolerance : ±0.2mm