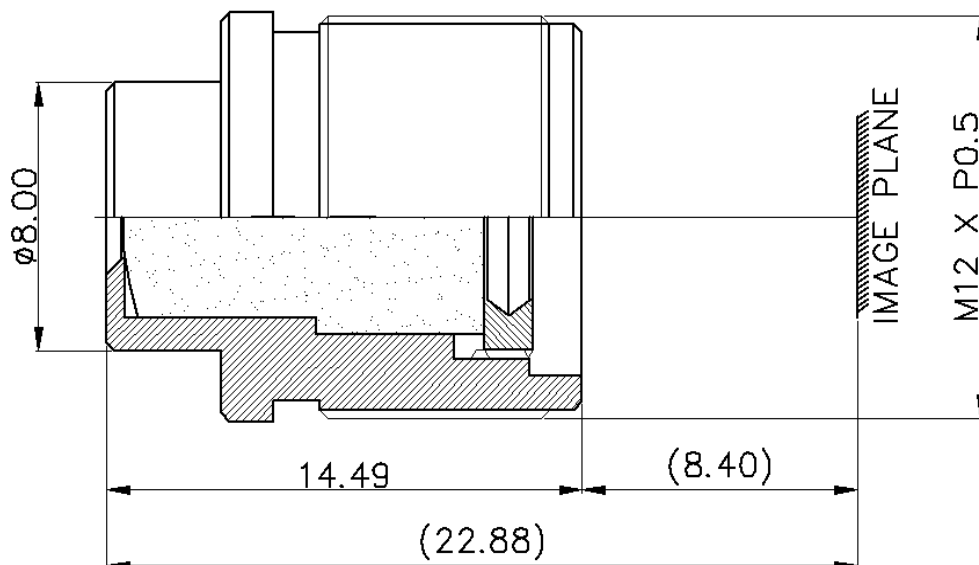




160470M-CM-F7.0

Application	Machine Vision	
Focal Length	16.0mm	
Flange Back Length	8.4mm	
Back Focal Length	13.2mm	
Total Track Length	22.88mm	
F No.	7	
Iris	Fixed	
MAX Image Circle Diameter	Φ6.0	
Sensing Area	1/3"(4:3)	
Optical Distortion	0.06%	
TV Distortion	0.02%	
Angle of View (4:3)	Diagonal	20.8°
	Horizontal	16.8°
	Vertical	12.8°
Chief Ray Angle(1.0F)	6.8°	
Relative Illumination(1.0F)	93.6%	
M.O.D	196cm - 205cm	
Resolution	On-Axis	38.3% @89lp/mm
	0.7 Field	60.8% @67lp/mm
Wavelength	Visible	
Filter	IR Cut Filter : 650nm Cut(T:50%)	
Waterproof	-	



Tolerance : ±0.4mm