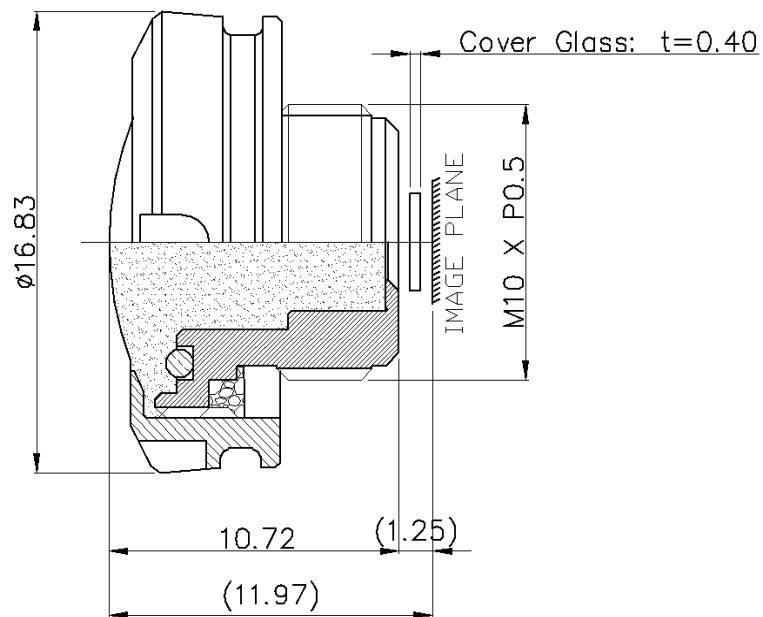




15422AS

| | | |
|-----------------------------|----------------------------------|-------------------------------|
| Application | Automotive | |
| Focal Length | 1.5mm | |
| Flange Back Length | 1.25mm | |
| Back Focal Length | 2.4mm | |
| Total Track Length | 11.97mm | |
| F No. | 2.2 | |
| Iris | Fixed | |
| Image Circle Diameter | Φ 4.48 | |
| Sensing Area | 1/4" HM0435 | |
| Optical Distortion | -101.9% | |
| TV Distortion | -36.7% | |
| Angle of View | Diagonal | 181.4° |
| | Horizontal | 140.0° |
| | Vertical | 103.0° |
| Chief Ray Angle(0.7F) | 26.8° | |
| Relative Illumination(1.0F) | 30.4% | |
| M.O.D | 10cm - ∞ | |
| Resolution | On-Axis | 88.1% @45lp/mm |
| | 0.7 Field | (S) 81.8% / (T)56.3% @45lp/mm |
| Wavelength | Visible | |
| Filter | IR Cut Filter : 650nm Cut(T:50%) | |
| Waterproof | IP69K | |



Tolerance: $\pm 0.4\text{mm}$