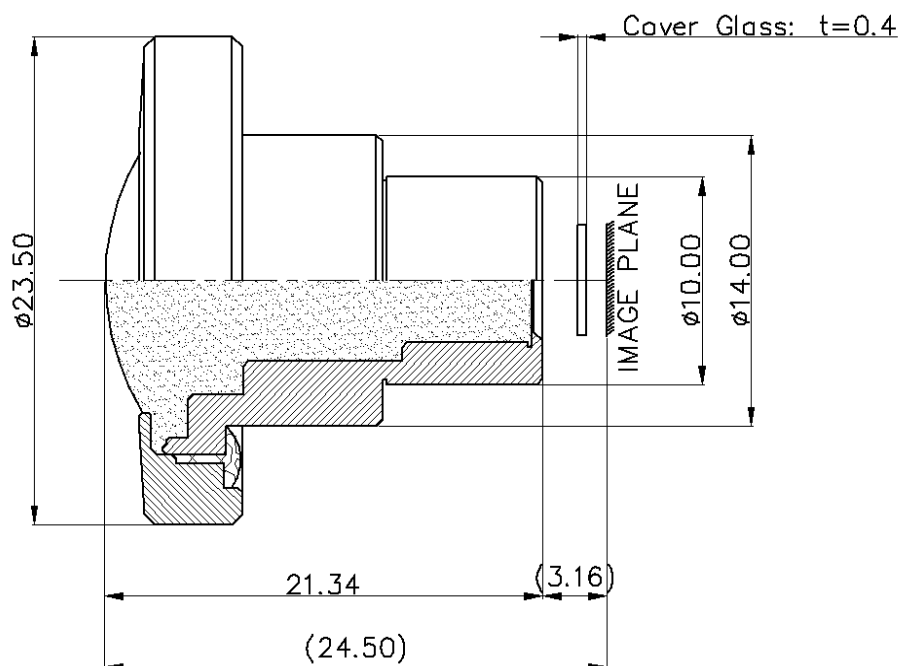




B20828MC-100

Application		Automotive
Focal Length		2.0mm
Flange Back Length		3.16mm
Back Focal Length		4.2mm
Total Track Length		24.5mm
F No.		2.8
MAX Image Circle Diameter		5.376
Sensing Area		Omnivision OV10640, 1/2.56" 1280*1080, Pixel size 4.2 μ m
Distortion		-41.0%
TV Distortion		-8.7%
Angle of View	Diagonal	-
	Horizontal	178.2°
	Vertical	89.9°
Chief Ray Angle		12.5°
Relative Illumination		80.7%
M.O.D		17 ~ ∞
Resolution	On-Axis	77.9% 90lp/mm
	0.7 Field	(S)76.7% (T)65.3% 90lp/mm
Wavelength		Visible
Filter		IR Cut Filter : 670nm Cut(T:50%)
Waterproof		IP69K



Tolerance: ± 0.2