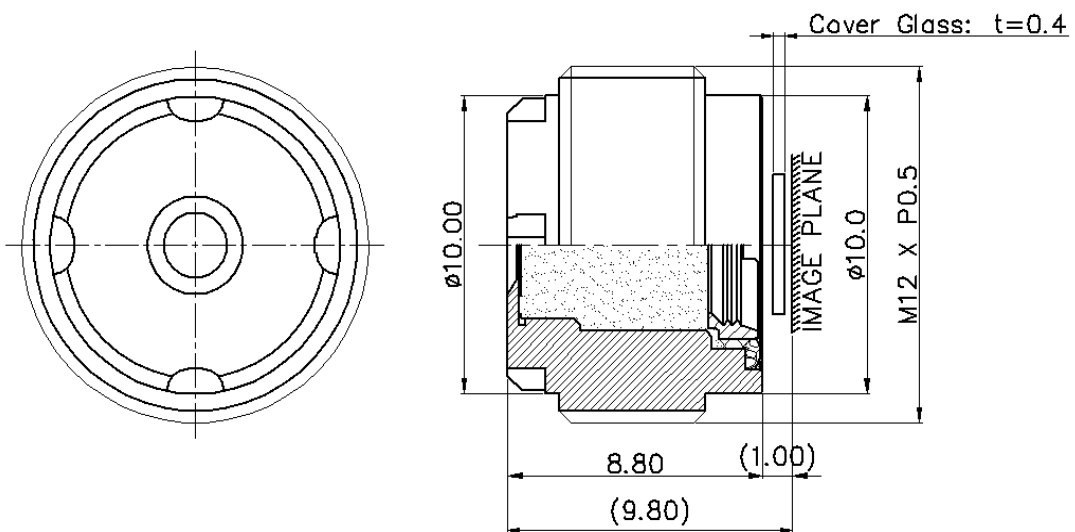




54422MAS

Application	DSM	
Focal Length	5.4mm	
Flange Back Length	1.0mm	
Back Focal Length	3.8mm	
Total Track Length	9.8mm	
F No.	2.2	
Iris	Fixed	
Image Circle Diameter	Φ 6.0	
Sensing Area	1/3"	
Optical Distortion	-6.0%	
TV Distortion	-1.3%	
Angle of View	Diagonal	61.2°
	Horizontal	49.8°
	Vertical	37.7°
Chief Ray Angle(1.0F)	25.4°	
Relative Illumination(1.0F)	67.0%	
M.O.D	45cm - ∞	
Resolution	On-Axis	71.6% @67lp/mm
	0.7 Field	(S)71.7% / (T)73.7% @67lp/mm
Wavelength	IR (940nm)	
Filter	IR Pass filter : 920~980nm Pass (T>90%)	
Waterproof	-	



Tolerance : ± 0.4 mm